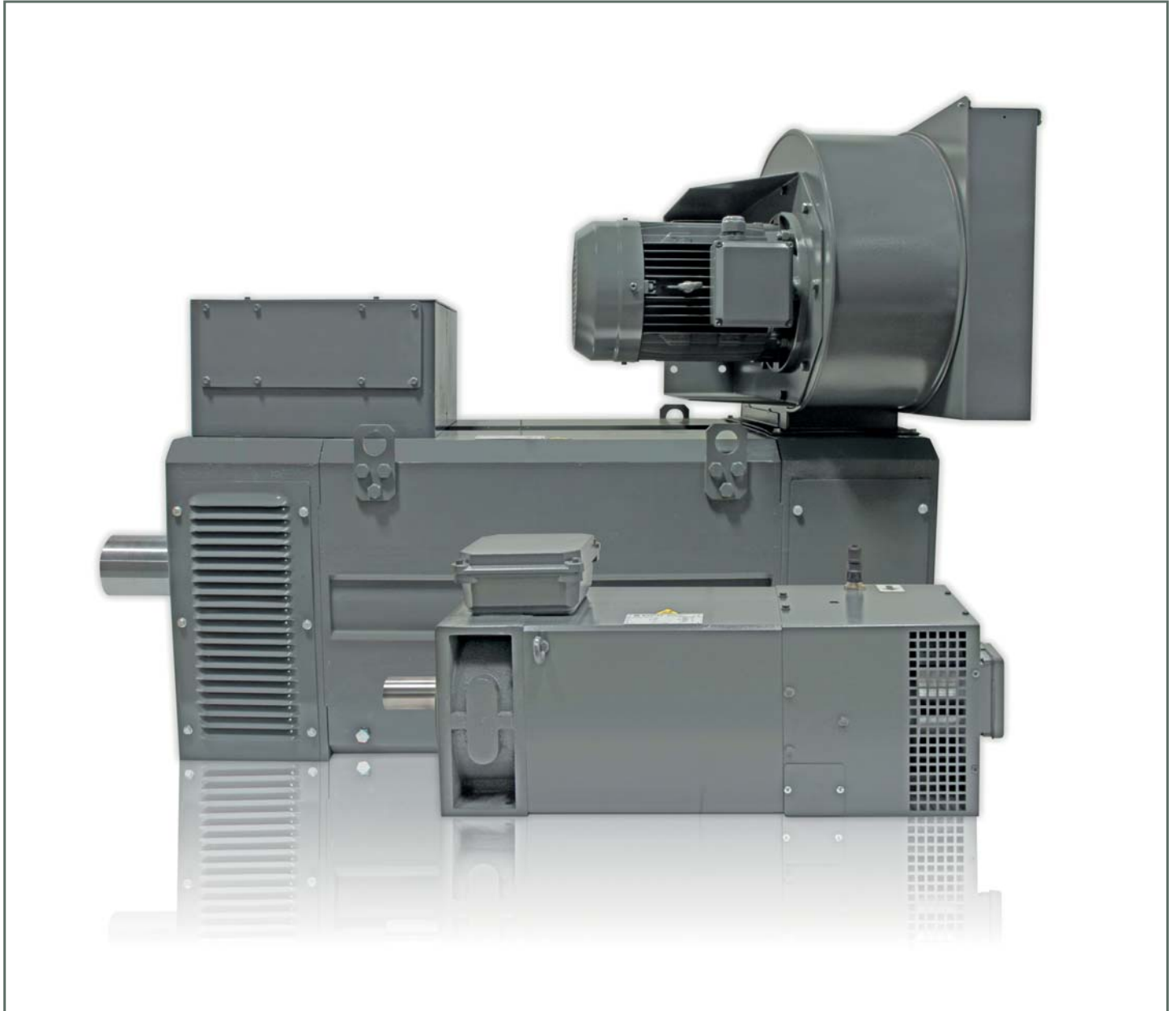


HIGH DYNAMIC ELECTRICAL MACHINES



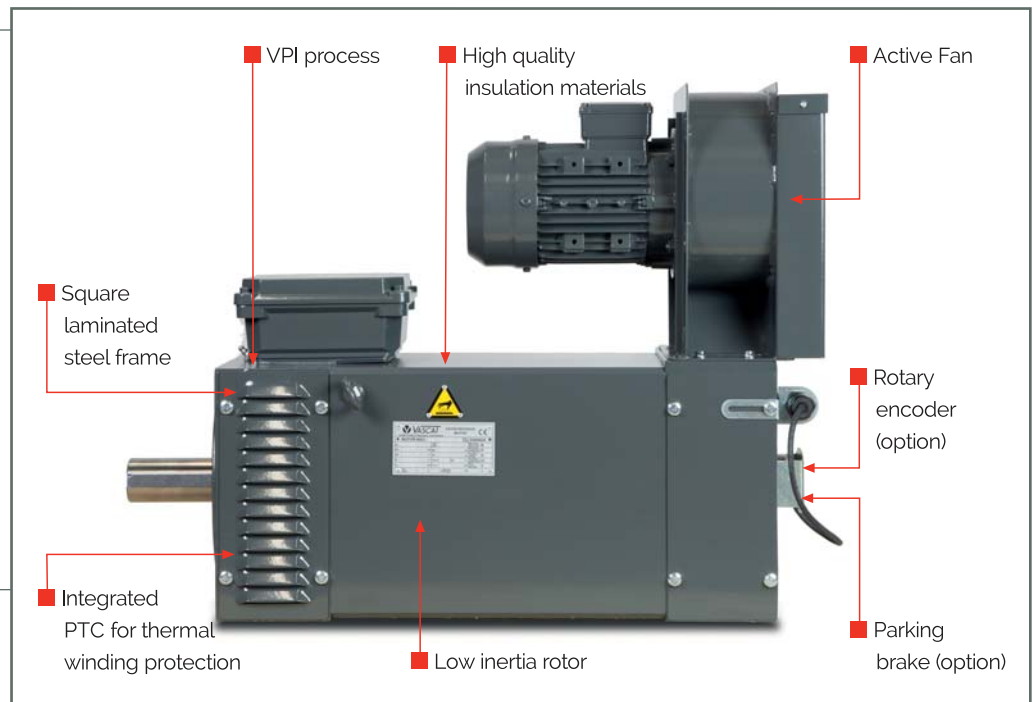
MAC Q Series
Asynchronous servomotors

Constructive details

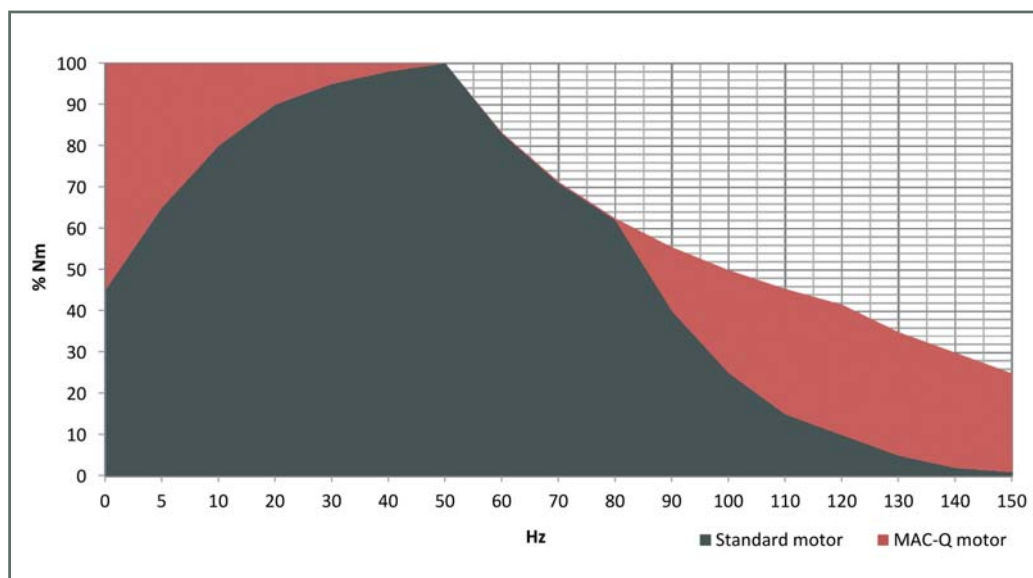
From 2 to 656 kW

Frame sizes 100-315 mm

- Superior dynamic response:
Low inertia
- High power density:
Compactness
- Long life expectancy
- Speed versatility:
from 300 rpm to 10,000 rpm
- Low vibration



Performance curve



Main advantages

- Excellent dynamic performance
- No warming problems in low speed operation
- Exceptional field weakening operation
- High overload capacity
- Repair and maintenance cost savings
- Inverter size optimization:
Customized windings
- Dimension savings:
High power density

Asynchronous servomotors



MOTOR TYPE		Power (kW)	Nominal torque (Nm)	Nominal speed (rpm)	Maximum speed (rpm)	Nominal current (A)	Inertia (kg/m ²)	Weight (Kg)
MAC-QI-100-	S	3-16	38	700-4100	7500	8-35	0,011	50
	M	4-22	52	700-4100		11-48	0,015	60
	L	5,5-27	65	800-4000		14-57	0,019	70
MAC-QI-132-	S	4-34,4	100	380-3290	6000	10-66	0,046	95
	M	5,6-48	140	380-3290		14-92	0,061	115
	L	7,3-61	180	380-3235		18-115	0,077	135
	P	9,5-75	220	400-3260		21-144	0,091	155
	X	9-78	270	320-2750		23-148	0,114	175
MAC-QI-160-	S	18-105	340	500-3000	5000	35-180	0,239	230
	M	23-132	430	500-3000		44-226	0,295	265
	L	25,8-160	510	480-3100		50-285	0,352	301
	P	30-159	570	500-3000		57-275	0,389	325
	X	34-175	640	500-3200		69-318	0,432	355
MAC-QI-200-	S	32-141	650	470-2210	4000	63-258	0,597	380
	M	42-171	850	470-2070		82-316	0,805	455
	L	54-199	1100	470-1810		105-368	1,065	550
	P	64-241	1350	450-1920		129-461	1,324	640
	X	63-276	1600	379-1821		126-514	1,676	760
MAC-QI-250-	S	92-304	1750	500-1661	4000	182-571	1,773	900
	M	95-326	2270	399-1685		189-627	2,303	1050
	L	89-364	2810	302-1546		183-709	2,833	1199
	P	85-434	3350	243-1506		184-844	3,362	1350
	X	86-441	3550	232-1427		184-846	3,574	1425
MAC-QI-315-	S	171-459	4200	390-1510	3500	428-864	8,880	1760
	M	222-554	5200	407-1431		418-1021	10,980	2020
	L	226-648	6200	348-1190		424-1159	13,090	2280
	P	218-656	7200	289-1010		416-1178	15,200	2540

MOTOR TYPE		Power (kW)	Nominal torque (Nm)	Nominal speed (rpm)	Maximum speed (rpm)	Nominal current (A)	Inertia (kg/m ²)	Weight (Kg)
MAC-QX-100-	S	3-15	35	740-4100	7500	8-33	0,011	45
	M	3,7-20,6	48	740-4100		10-45	0,015	55
	L	5-24,7	60	810-3950		13-54	0,019	65
MAC-QX-132-	S	3,5-31	90	380-3290	6000	9-61	0,046	95
	M	5-43	126	380-3290		13-85	0,061	115
	L	6,5-55	162	380-3230		16-106	0,077	135
	P	8,6-68	198	410-3270		20-133	0,091	155
	X	8,4-71	247	326-2755		20-136	0,114	175
MAC-QX-160-	S	16,6-96	310	510-2970	5000	32-166	0,239	235
	M	31-122	395	510-2940		41-210	0,295	265
	L	24-147	470	480-3190		47-266	0,352	305
	P	28-150	525	510-2980		53-261	0,389	330
	X	32-162	590	510-3220		65-300	0,432	360
MAC-QX-200-	S	30-132	600	470-2210	4000	59-244	0,597	375
	M	38-157	780	470-2070		76-295	0,805	450
	L	49-182	1000	470-1810		97-343	1,065	545
	P	58-221	1240	450-1920		121-434	1,324	635
	X	57-248	1440	380-1820		115-475	1,676	755

MOTOR TYPE		Power (kW)	Nominal torque (Nm)	Nominal speed (rpm)	Maximum speed (rpm)	Nominal current (A)	Inertia (kg/m ²)	Weight (Kg)
MAC-QE-100-	K	2,1-7,6	20	980-3650	7500	5,7-17,5	0,0066	35
	S	2,6-10	30	800-3183		6,9-22,6	0,011	45
	M	3,3-13	40	789-3097		9,1-29,3	0,015	55
	L	4,6-17,2	50	880-3281		11,6-39,5	0,019	65
MAC-QE-132-	K	3-11,8	50	569-2248	6000	7,5-24,3	0,035	70
	S	3,1-18,3	70	421-2491		8-37	0,046	85
	M	4,4-25,5	100	424-2433		11-53	0,061	105
	L	5,6-33,8	125	425-2585		13-69	0,077	125
	P	7,1-41,9	155	440-2585		16-85	0,091	145
	X	7,1-39,6	185	365-2227		17-80	0,114	165
MAC-QE-160-	K	9,1-31,6	150	577-2318	5000	17-57	0,173	195
	S	12,7-44,4	210	579-2291		24-79	0,239	235
	M	16,1-54	265	580-2291		30-97	0,295	270
	L	17,3-58,4	300	552-2323		32-109	0,352	306
	P	20,7-39,9	340	582-2383		38-127	0,389	330
	X	23,2-75,2	380	582-2113		46-144	0,432	360
MAC-QE-200-	S	21-55	350	560-1760	4000	40-107	0,597	375
	M	26-65	450	560-1680		52-130	0,805	450
	L	34-83	580	560-1580		66-162	1,065	545
	P	40-100	705	540-1460		83-202	1,324	640
	X	40-117	820	465-1465		80-226	1,676	760
MAC-QE-250-	S	49-108	830	570-1391	4000	106-233	1,773	915
	M	49-135	1080	430-1190		106-287	2,303	1065
	L	49-159	1340	350-1130		105-334	2,833	1215
	P	49-177	1600	290-1252		106-390	3,362	1365
	X	48-178	1700	271-1172		106-393	3,574	1435

MAC QI Series

- Cooling type: IC 06 (Radial fan)
- Protection degree: IP 23
- Nominal speed: 240 – 4100 rpm
- Maximum speed: up to 7500 rpm
- Nominal power: 3 – 656 kW
- Nominal torque: 38 – 7200 Nm



MAC QX Series

- Cooling type: IC 06 (axial fan)
- Protection degree: IP 23
- Nominal speed: 326 – 4100 rpm
- Maximum speed: up to 7500 rpm
- Nominal power: 3 – 248 kW
- Nominal torque: 35 – 1440 Nm



MAC QE Series

- Cooling type: IC 416 (axial fan)
- Protection degree: IP 54
- Nominal speed: 271 – 3650 rpm
- Maximum speed: up to 7500 rpm
- Nominal power: 2,1 – 178 kW
- Nominal torque: 20 – 1700 Nm



Main applications for MAC Q motors

Converting and printing machines



Testing systems



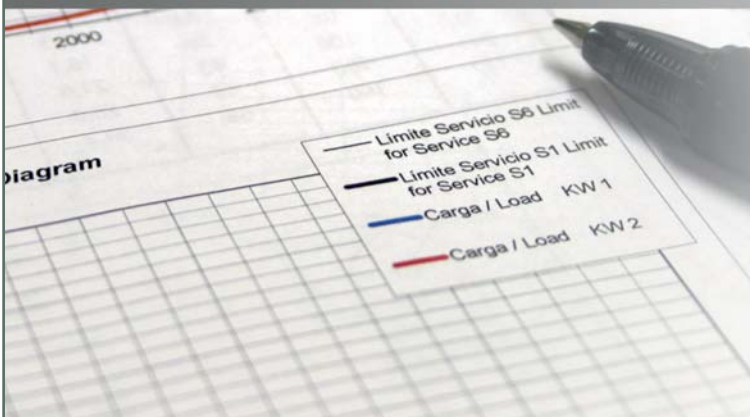
Wire manufacturing machines



Metal processing lines



INNOVATIVE SOFTWARE TOOLS



- Application calculation spreadsheets
- Motor sizing program
- Interactive motor datasheets
- 2D drawings and 3D models for all motors

Available at www.vascats.com (free on-line access)

